

○ TRIPHASE

☐ 400 V

■ MONOTRIPHASE



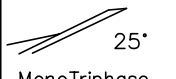
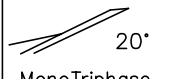
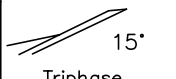
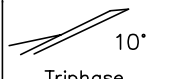
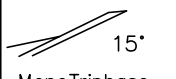
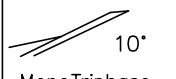
☐ 230/400 V

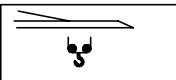
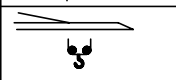
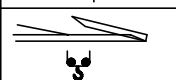
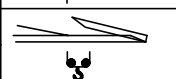
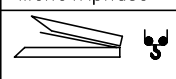
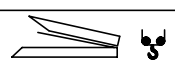
GRU A MONTAGGIO RAPIDO
GRUE A MONTAGE RAPIDE
GRUA DE RAPIDO MONTAJE
GRUA DE MONTAGEM RAPIDA
QUICK SELFRECTING CRANE
HYDRAULISCHER SCHNELLMONTAGEKRAN



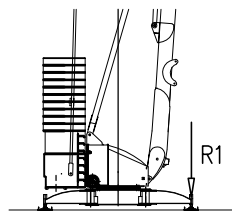
FEM 1.001-A3

Curve di carico – Courbes de charges – Load diagrams – LastKurven – Curvas de cargas

 25° Triphase	☒ 400V	<table border="1"> <tr><td>3</td><td>23</td><td>26</td><td>27,7</td></tr> <tr><td>600</td><td>600</td><td>600</td><td>600</td></tr> </table>	3	23	26	27,7	600	600	600	600	m kg	 20° Triphase	☒ 400V	<table border="1"> <tr><td>3</td><td>23</td><td>26</td><td>28,4</td></tr> <tr><td>600</td><td>600</td><td>600</td><td>600</td></tr> </table>	3	23	26	28,4	600	600	600	600	m kg
3	23	26	27,7																				
600	600	600	600																				
3	23	26	28,4																				
600	600	600	600																				
 25° MonoTriphase	☒ 230/400V	<table border="1"> <tr><td>3</td><td>23</td><td>26</td><td>27,7</td></tr> <tr><td>600</td><td>600</td><td>600</td><td>600</td></tr> </table>	3	23	26	27,7	600	600	600	600	m kg	 20° MonoTriphase	☒ 230/400V	<table border="1"> <tr><td>3</td><td>23</td><td>26</td><td>28,4</td></tr> <tr><td>600</td><td>600</td><td>600</td><td>600</td></tr> </table>	3	23	26	28,4	600	600	600	600	m kg
3	23	26	27,7																				
600	600	600	600																				
3	23	26	28,4																				
600	600	600	600																				
 15° Triphase	☒ 400V	<table border="1"> <tr><td>3</td><td>23</td><td>26</td><td>29,3</td></tr> <tr><td>700</td><td>700</td><td>700</td><td>700</td></tr> </table>	3	23	26	29,3	700	700	700	700	m kg	 10° Triphase	☒ 400V	<table border="1"> <tr><td>3</td><td>23</td><td>26</td><td>29,7</td></tr> <tr><td>700</td><td>700</td><td>700</td><td>700</td></tr> </table>	3	23	26	29,7	700	700	700	700	m kg
3	23	26	29,3																				
700	700	700	700																				
3	23	26	29,7																				
700	700	700	700																				
 15° MonoTriphase	☒ 230/400V	<table border="1"> <tr><td>3</td><td>23</td><td>26</td><td>29,3</td></tr> <tr><td>700</td><td>700</td><td>700</td><td>700</td></tr> </table>	3	23	26	29,3	700	700	700	700	m kg	 10° MonoTriphase	☒ 230/400V	<table border="1"> <tr><td>3</td><td>23</td><td>26</td><td>29,7</td></tr> <tr><td>700</td><td>700</td><td>700</td><td>700</td></tr> </table>	3	23	26	29,7	700	700	700	700	m kg
3	23	26	29,3																				
700	700	700	700																				
3	23	26	29,7																				
700	700	700	700																				

 Triphase	☒ 400V	<table border="1"> <tr><td>3</td><td>13,53</td><td>14</td><td>18</td><td>22</td><td>26</td><td>30</td></tr> <tr><td>2400</td><td>2400</td><td>2300</td><td>1690</td><td>1320</td><td>1070</td><td>900</td></tr> </table>	3	13,53	14	18	22	26	30	2400	2400	2300	1690	1320	1070	900	m kg				
3	13,53	14	18	22	26	30															
2400	2400	2300	1690	1320	1070	900															
 MonoTriphase	☒ 230/400V	<table border="1"> <tr><td>3</td><td>13,53</td><td>14</td><td>18</td><td>22</td><td>26</td><td>30</td></tr> <tr><td>2200</td><td>2200</td><td>2100</td><td>1690</td><td>1320</td><td>1070</td><td>900</td></tr> </table>	3	13,53	14	18	22	26	30	2200	2200	2100	1690	1320	1070	900	m kg				
3	13,53	14	18	22	26	30															
2200	2200	2100	1690	1320	1070	900															
 Triphase	☒ 400V	<table border="1"> <tr><td>3</td><td>13,7</td><td>14</td><td>16</td><td>18</td><td>20</td><td>22</td><td>24</td><td>26</td></tr> <tr><td>2400</td><td>2400</td><td>2350</td><td>2000</td><td>1720</td><td>1510</td><td>1350</td><td>1210</td><td>1100</td></tr> </table>	3	13,7	14	16	18	20	22	24	26	2400	2400	2350	2000	1720	1510	1350	1210	1100	m kg
3	13,7	14	16	18	20	22	24	26													
2400	2400	2350	2000	1720	1510	1350	1210	1100													
 MonoTriphase	☒ 230/400V	<table border="1"> <tr><td>3</td><td>13,7</td><td>14</td><td>16</td><td>18</td><td>20</td><td>22</td><td>24</td><td>26</td></tr> <tr><td>2200</td><td>2200</td><td>2150</td><td>2000</td><td>1720</td><td>1510</td><td>1350</td><td>1210</td><td>1100</td></tr> </table>	3	13,7	14	16	18	20	22	24	26	2200	2200	2150	2000	1720	1510	1350	1210	1100	m kg
3	13,7	14	16	18	20	22	24	26													
2200	2200	2150	2000	1720	1510	1350	1210	1100													
 Triphase	☒ 400V	<table border="1"> <tr><td>3</td><td>13,3</td></tr> <tr><td>2400</td><td>2400</td></tr> </table>	3	13,3	2400	2400	m kg	 MonoTriphase	☒ 230/400V	<table border="1"> <tr><td>3</td><td>13,3</td></tr> <tr><td>2200</td><td>2200</td></tr> </table>	3	13,3	2200	2200	m kg						
3	13,3																				
2400	2400																				
3	13,3																				
2200	2200																				

Reazioni – Reactions – Réactions – Eckdrücke – Reacciones – Reações



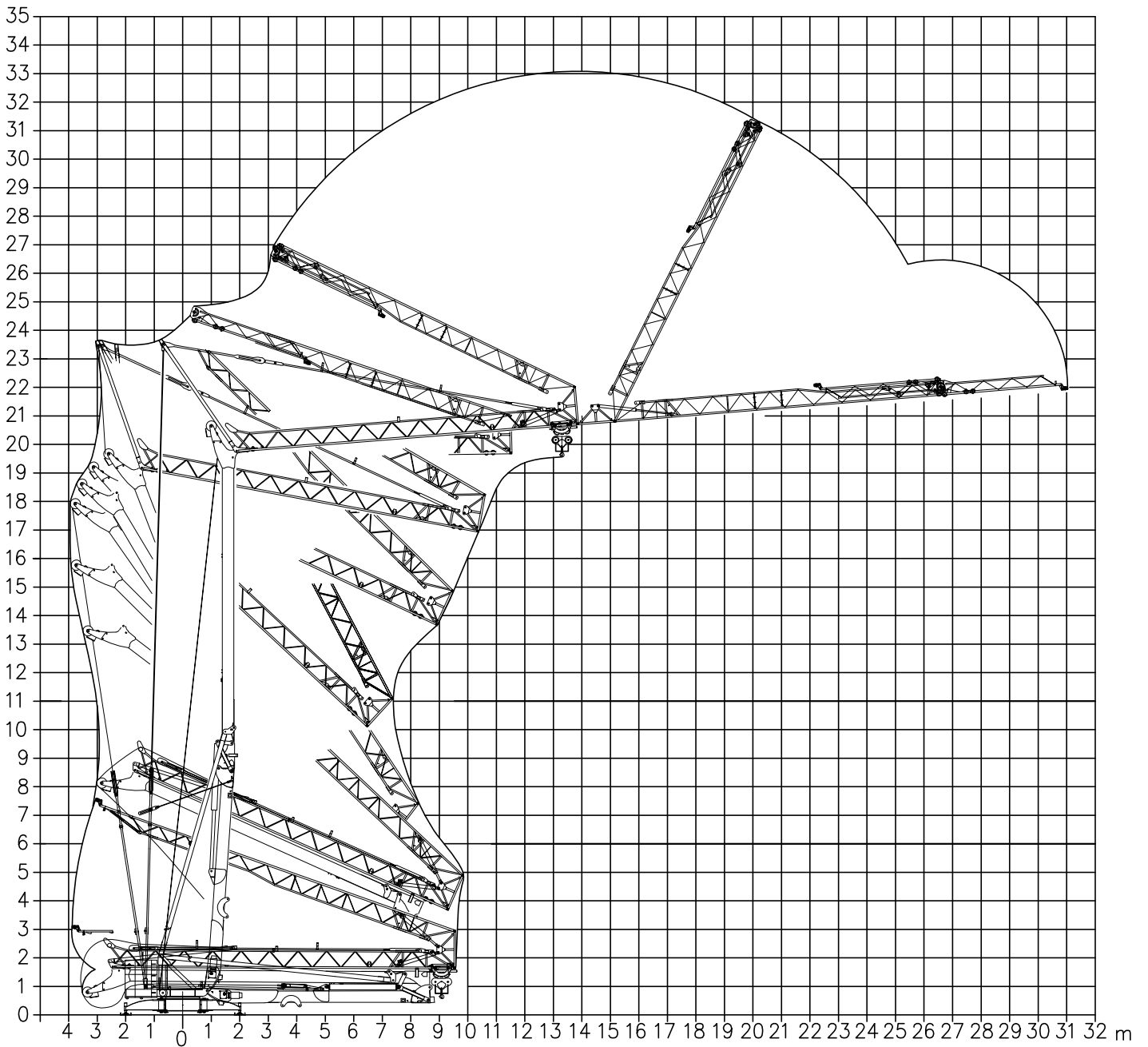
R1 ● 19 t ■ 13 t

▲ 10 t ◆ 20,6 t

{ N°2 A=3500Kg (1750Kgx2)
 { N°2 B=2100Kg (1050Kgx2)
 { N°12 C=15000Kg (1250Kgx12)

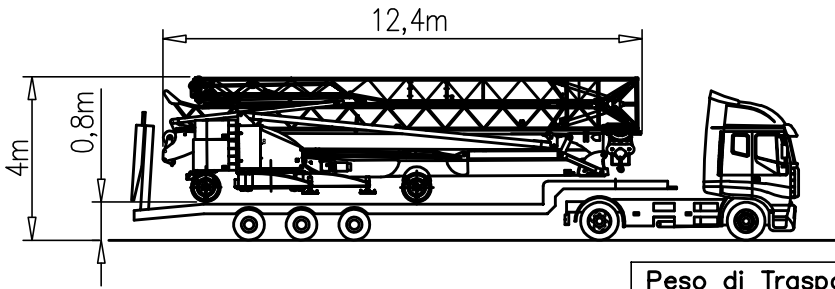
- | | | |
|-------------------------------|---------------------------------------|--------------------------------------|
| ● Reazioni in servizio | ● Reactions in service | ● Réactions en service |
| ■ Reazioni fuori servizio | ■ Reactions out of service | ■ Réactions hors service |
| ▲ Peso della gru senza assali | ▲ Dead weight without transport axles | ▲ Poids de construction sans essieux |
| ◆ Peso zavorra rotante | ◆ Ballast weight | ◆ Poids du lest |
-
- | | | |
|--|--|---|
| ● Reaktionskräfte in betrieb | ● Reacciones en servicio | ● Em serviço |
| ■ Reaktionskräfte außer betrieb | ■ Reacciones fuera de servicio | ■ Fora de serviço |
| ▲ Konstruktionsgewicht ohne transportachse | ▲ Peso de la grua sin tren de transporte | ▲ Peso de la grua sem carro de transporte |
| ◆ Ballastgewicht | ◆ Peso de lastre | ◆ Peso de lastre rotativo |

Montaggio – Montage – Erection – Montage – Montaje – Montagem



Trasporto – Transport – Transport – Transport – Transporte – Transporte

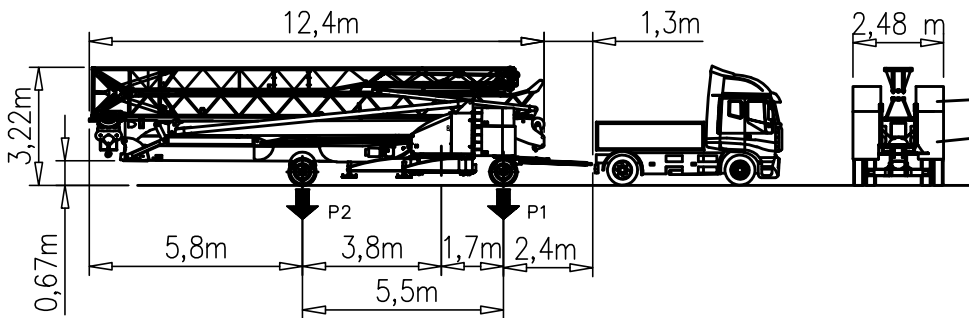
Trasporto



- ◆ Blocchi A 2x1750=3500 Kg
- ◆ Blocchi B 2x1050=2100 Kg

Peso di Trasporto (Blocchi A+B)	Kg	16260
---------------------------------	----	-------

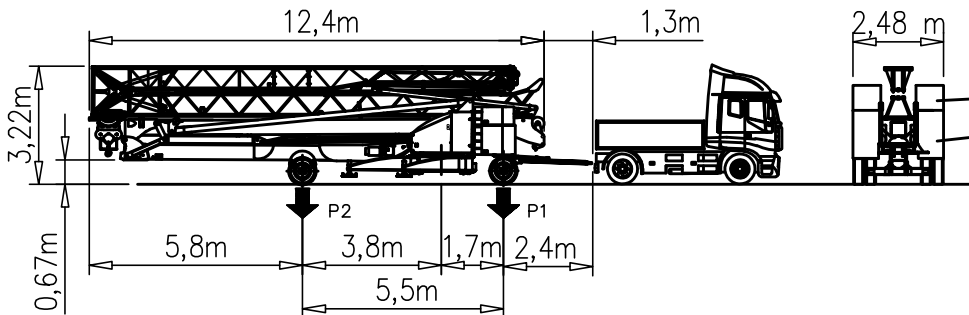
Traino 5Km/h



- ◆ Blocchi B 2x1050=2100 Kg
- ◆ Blocchi A 2x1750=3500 Kg

P1	Kg	7850
P2	Kg	8410
Ptot	Kg	16260

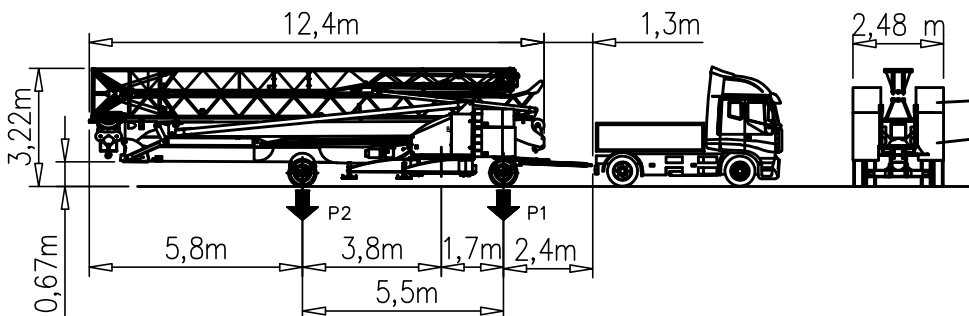
Traino 25Km/h



- ◆ Blocchi B 2x1050=2100 Kg
- ◆ Blocchi A 2x1750=3500 Kg

P1	Kg	8280
P2	Kg	8630
Ptot	Kg	16910

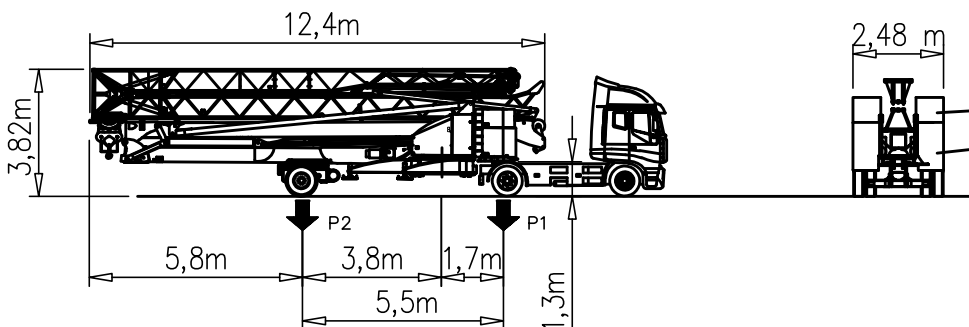
Traino 80Km/h



- ◆ Blocchi B 2x1050=2100 Kg
- ◆ Blocchi A 2x1750=3500 Kg

P1	Kg	8780
P2	Kg	8930
Ptot	Kg	17710

Traino 80Km/h



- ◆ Blocchi B 2x1050=2100 Kg
- ◆ Blocchi A 2x1750=3500 Kg

P1	Kg	8780
P2	Kg	8930
Ptot	Kg	17710

Triphase – 400V	V9.32 Sollevamento Hoisting Levage Heben Elevaciòn Elevaçao							V9.32 6.6 Kw (9 Hp) 17.5 kVA
		m/min	4	13	32	40		
		t	2.4	2.4	1.0	0.6		
Carrello Trolleying Distribution Katzfahren Distribuciòn Distribuiçao			1a	0 → 30		m/min	2.2 kW (3 Hp)	
			1a					
			2a					
Rotazione Slewing Orientation Schwenken Orientaciòn Rotaçao			1a	0 → 0.8		giri/min tr/min rp/min	2.2 kW (3 Hp)	
			2a					
			3a					

MonoTriphase – 230/400V	V9.32 Sollevamento Hoisting Levage Heben Elevaciòn Elevaçao							V9.32 6.6 Kw (9 Hp) 17.5 kVA
		m/min	4	11	25	35		
		t	2.2	2.2	1.0	0.6		
Carrello Trolleying Distribution Katzfahren Distribuciòn Distribuiçao			1a	0 → 30		m/min	2.2 kW (3 Hp)	
			1a					
			2a					
Rotazione Slewing Orientation Schwenken Orientaciòn Rotaçao			1a	0 → 0.8		giri/min tr/min rp/min	2.2 kW (3 Hp)	
			2a					
			3a					

Rete elettrica – Réseau – Mains supply – Netzstrom – Red – Alimentaçao	230/400V – 50 Hz
--	------------------

Potenza elettrica necessaria – Puissance électrique nécessaire Necessary electric power – Anschlusswert – Potencia electrica necesaria	3Hp – 17,5 kVA 1Hp – 2 kVA
---	-------------------------------

AFM Gru FMgru s.r.l.
 via Emilia 11–29010 Pontenure PC ITALY
 tel. 0523/510446 ric.aut. fax 0523/510365
 www.fmgru.it e-mail: info@fmgru.com

FEM 1.001–A3
2000/14/CE



Documento commerciale non contrattuale
Per tutte le informazioni tecniche riferirsi
alle corrispondenti istruzioni

Unverbindliches Vertriebsdokument.
Für technische Informationen, siehe die
entsprechenden Anweisungen.

This commercial document is not legally
binding. For any technical information, please
refer to the corresponding instructions.

Documento commercial non contractual
Para cualquier información técnica,
ver la noticia correspondiente.

Code: 15ICA37B55A0			
Ed.	Data	Rev	Data
1	22.09.11	4	21.03.19